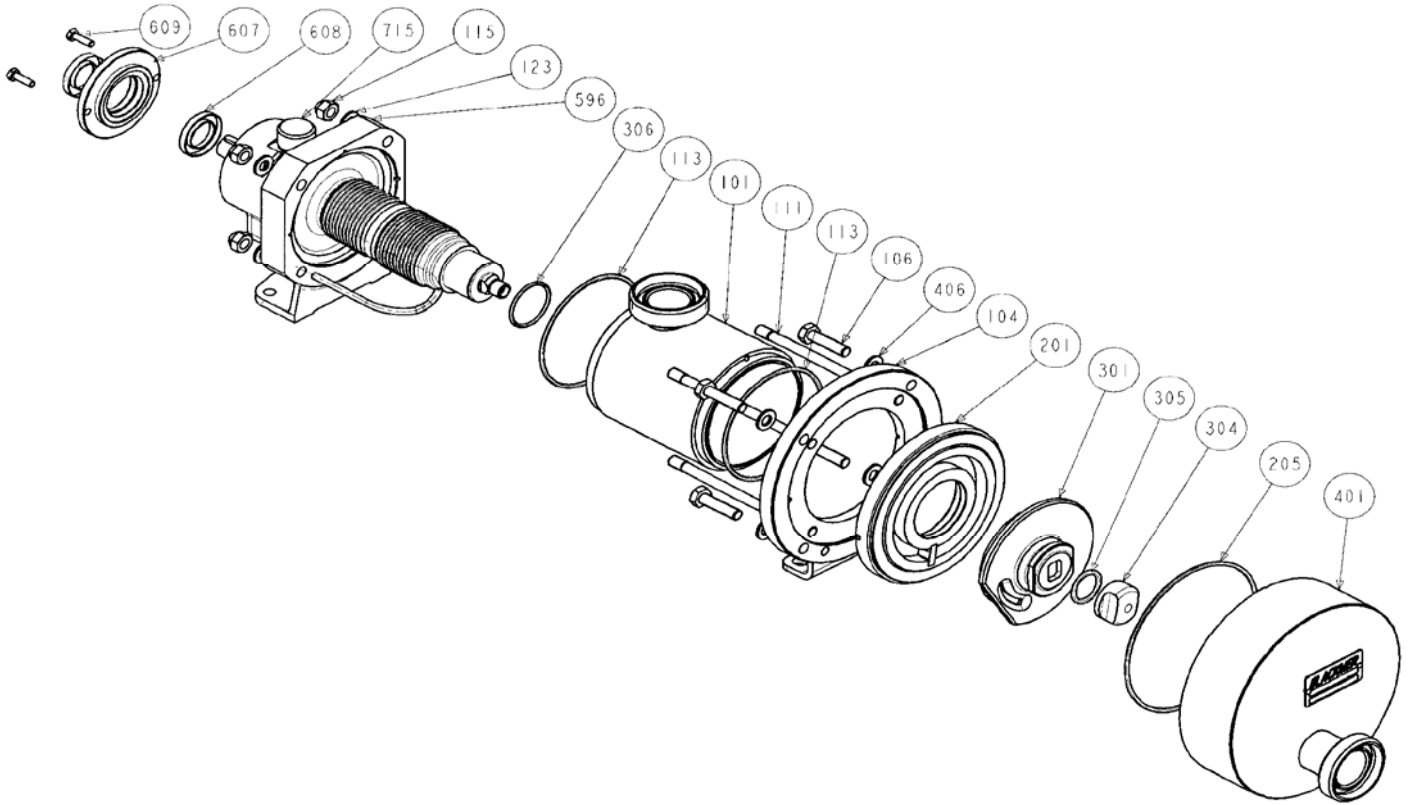


Section	1001
Effective	May 2007
Replaces	October 2005

(See Instructions 1001-B00 for Installation, Operation and Maintenance)



Reference			Description	Quantity		ARTICLE CODE		Wear parts
Ass.	Part	Available		Order	In Pump	C1 i VR	C2 i VR	
100		◆	Inlet Manifold PN16 DN40	1			311957.00	
100		◆	Inlet Manifold PN20 DN40	1			311969.00	
100		◆	Inlet Manifold SMS 38	1			311924.00	
100		◆	Inlet Manifold DIN 40	1			311966.00	
100		◆	Inlet Manifold CHERRY BUREL 38	1			311959.00	
100		◆	Inlet Manifold CLAMP ISO 38	1			311964.00	
100		◆	Inlet Manifold IDF 38	1			311968.00	
100		◆	Inlet Manifold Smooth Pipes	1			311961.00	
100		◆	Inlet Manifold ASEPTIK DIN 11864-BF-A DN40	1			314142.00	
100		◆	Inlet Manifold CS F DN40 VR	1			313906.00	
100		◆	Inlet Manifold BS4825-5 DN40	1			313979.00	
100		◆	Jacketed Inlet Manifold PN16 DN40	1			311974.00	
100		◆	Jacketed Inlet Manifold PN20 DN40	1			311986.00	
100		◆	Jacketed Inlet Manifold SMS 38	1			311971.00	
100		◆	Jacketed Inlet Manifold DIN 40	1			311982.00	
100		◆	Jacketed Inlet Manifold CHERRY BUREL 38	1			311976.00	
100		◆	Jacketed Inlet Manifold CLAMP ISO 38	1			311980.00	
100		◆	Jacketed Inlet Manifold IDF 38	1			311984.00	
100		◆	Jacketed Inlet Manifold Smooth Pipes	1			311978.00	
100		◆	Jacketed Inlet Manifold ASEPTIK DIN 11864-BF-A DN40	1			314143.00	
100		◆	Jacketed Inlet Manifold CS F DN40 VR	1			313907.00	
100		◆	Jacketed Inlet Manifold BS4825-5 DN40	1			313981.00	
	101		Main body		(1)			
	104		Main body flange		(1)			
	108		Support foot		(1)			
	109		Screw		(2)			
	117		Pin		(2)			
	118		Pin		(1)			
	124		Plug (with Jacketed Inlet)		(2)			

(◆) Sets of parts or (▲) parts available to order

Reference			Description	Quantity		ARTICLE CODE		Wear parts
Ass.	Part	Available		Order	In Pump	C1 i VR	C2 i VR	
119		◆	Set of studs and nuts	1		312557.00	312957.00	
	106		Screw		(4)			
	111		Stud		(4)			
	115		Blind nut		(4)			
	123		Washer		(4)			
	406		Washer		(4)			
200		◆	Set cylinder/Piston	1		313389.00	313391.00	●
	201		Cylinder		(1)			
	301		Piston		(1)			
	304	▲	Piston nut	1		218672		
206		◆	Set of FKM 'O' ring seals	1		312572.01		●
206		◆	Set of CVT 'O' ring seals	1		312573.01		●
206		◆	Set of FKM lip seals ('L' rings) FDA	1		312574.01		●
206		◆	Set of L. PTFE seals ('L' rings)	1		312781.04		●
	113		Seal		(2)			
	205		Seal Ring		(1)			
	305		Seal		(1)			
	306		Seal		(1)			
401		◆	Front Cover Plate PN16 DN40	1		312956.04		
401		◆	Front Cover Plate PN20 DN40	1		312950.04		
401		◆	Front Cover Plate SMS 38	1		312951.04		
401		◆	Front Cover Plate DIN 40	1		312556.01		
401		◆	Front Cover Plate CHERRY BURREL 38	1		312955.04		
401		◆	Front Cover Plate CLAMP ISO 38	1		312953.04		
401		◆	Front Cover Plate IDF 38	1		312954.04		
401		◆	Front Cover Plate Smooth pipes	1		312952.04		
401		◆	Front Cover Plate ASEPTIK DIN 11864-BF-A DN40	1		314144.00		
401		◆	Front Cover Plate CS F DN40 VR	1		313909.00		
401		◆	Front Cover Plate BS4825-5 DN40	1		313983.00		
596		◆	Complete transmission	1		311933.04		
596		◆	Complete transmission - Jacketed version	1		312305.04		
	9	◆	Bearing gaskets / screws	1		312368.02		
	507		Ring		(1)			
	602		Gasket		(1)			
	608		Lip seal		(2)			
	609		Bearing screws		(2)			
	8	◆	Plugs set	1		311441.00		
	715		Breather		(1)			
	773		Drain plug		(1)			
	774		Copper-plated gasket		(1)			

CVT - FEP encapsulated FKM ; FDA : Food and Drug Administration (21 CFR 177 2600)

(◆) Sets of parts or (▲) parts available to order

Keep this parts lists with Installation, Operation and Maintenance Instructions

To order the required spare parts, indicate the appropriate CUM numbers



ZI la Plaine des Isles - 2 Rue des Caillottes 89000 AUXERRE - France
Tél. : +33 3.86.49.86.40 or +33 3 86.49.87.09 - Fax : +33 3.86.49.87.17
E-Mail : contact@blackmer-mouvex.com Internet : www.blackmer.com

1809 Century Avenue, Grand Rapids, Michigan 49503-1530, U.S.A.
Telephone: (616) 241-1611 / Fax: (616) 241-3752
E-Mail: blackmer@blackmer.com / Internet: www.blackmer.com