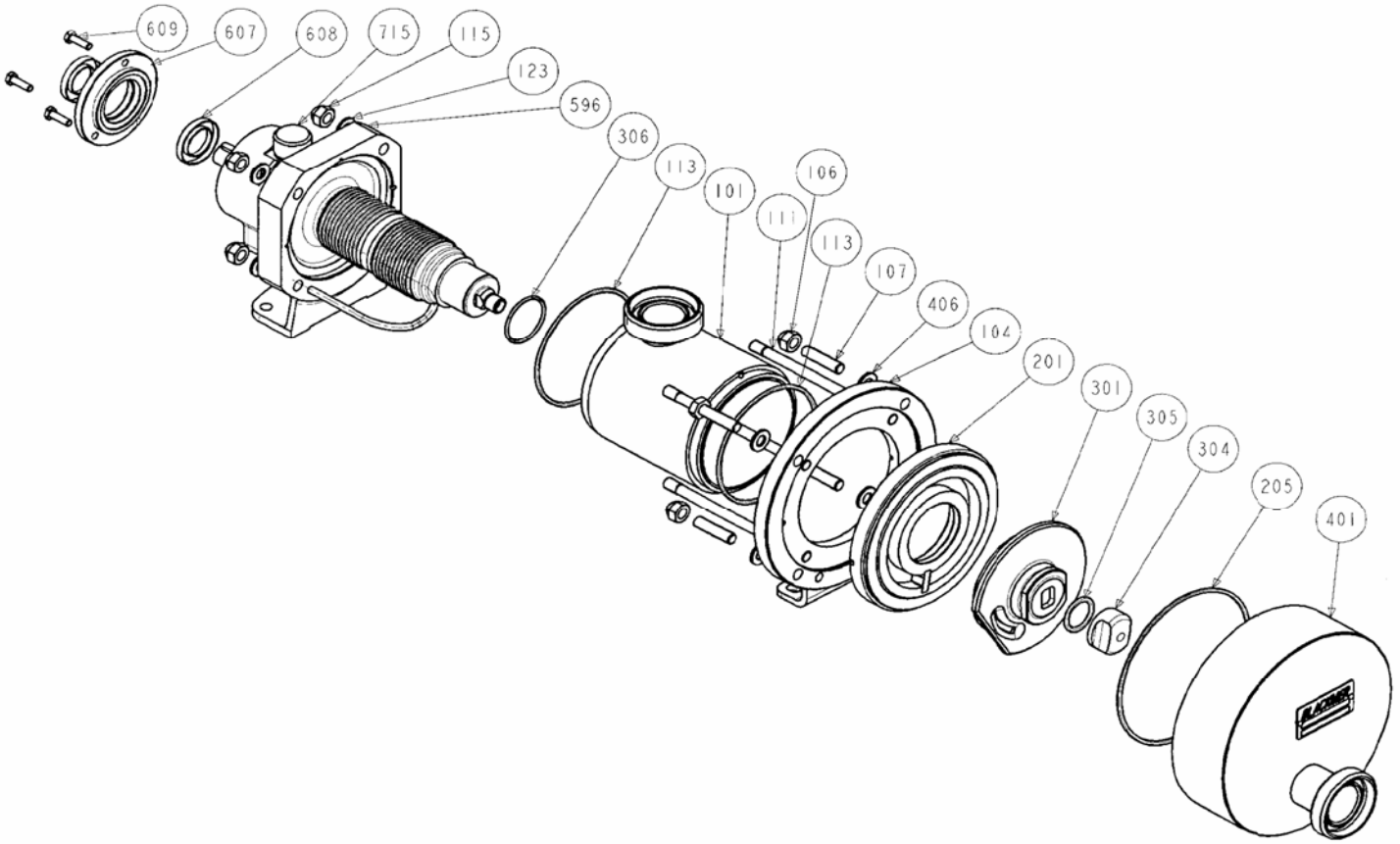


(See Instructions **1001-A00** for Installation, Operation and Maintenance)

Section Effective Replaces	1001 January 2008 May 2007
----------------------------	----------------------------------



Reference			Description	Quantity		ARTICLE CODE		Wear parts
Ass.	Part	Available		Order	In Pump	C4 i VR	C8 i VR	
100		◆	Inlet Manifold PN16 DN50	1		311450.00		
100		◆	Inlet Manifold PN20 DN50	1		311725.00		
100		◆	Inlet Manifold SMS 51	1		311345.00		
100		◆	Inlet Manifold DIN 50	1		311645.00		
100		◆	Inlet Manifold CHERRY BURREL 51	1		311603.00		
100		◆	Inlet Manifold CLAMP ISO 51	1		311675.00		
100		◆	Inlet Manifold IDF 51	1		311647.00		
100		◆	Inlet Manifold Smooth Pipes	1		311649.00		
100		◆	Inlet Manifold ASEPTIK DIN 11864-BF-A DN50	1		313558.00		
100		◆	Inlet Manifold CS F DN50 VR	1		313898.00		
100		◆	Inlet Manifold BS4825-5 DN50	1		313985.00		
100		◆	Jacketed Inlet Manifold PN16 DN50	1		311846.00		
100		◆	Jacketed Inlet Manifold PN20 DN50	1		311852.00		
100		◆	Jacketed Inlet Manifold SMS 51	1		311845.00		
100		◆	Jacketed Inlet Manifold DIN 50	1		311850.00		
100		◆	Jacketed Inlet Manifold CHERRY BURREL 51	1		311847.00		
100		◆	Jacketed Inlet Manifold CLAMP ISO 51	1		311849.00		
100		◆	Jacketed Inlet Manifold IDF 51	1		311851.00		
100		◆	Jacketed Inlet Manifold Smooth Pipes	1		311848.00		
100		◆	Jacketed Inlet Manifold ASEPTIK DIN 11864-BF-A DN50	1		313571.00		
100		◆	Jacketed Inlet Manifold CS F DN50 VR	1		313900.00		
100		◆	Jacketed Inlet Manifold BS4825-5 DN50	1		313987.00		
	101		Main body		(1)			
	104		Main body flange		(1)			
	108		Support foot		(1)			
	109		Screw		(2)			
	117		Pin		(2)			
	118		Pin		(1)			
	124		Plug (with Jacketed Inlet)		(2)			

(◆) Sets of parts or (▲) parts available to order

Reference			Description	Quantity		ARTICLE CODE		Wear parts
Ass.	Part	Available		Order	In Pump	C4 i VR	C8 i VR	
119		◆	Set of studs and nuts	1		313664.00	313663.00	
	106		Blind nut		(4)			
	107		Stud		(4)			
	111		Stud		(4)			
	115		Blind nut		(4)			
	123		Washer		(4)			
	136		Washer (C8)		(4)			
	406		Washer (C4)		(4)			
200		◆	Set cylinder/Piston	1		313397.00	313399.00	•
	201		Cylinder		(1)			
	301		Piston		(1)			
	304	▲	Piston nut	1		216257	218572	
206		◆	Set of FKM 'O' ring seals	1		313659.00		•
206		◆	Set of CVT 'O' ring seals	1		313660.00		•
206		◆	Set of FKM lip seals ('L' rings) FDA	1		313661.00		•
206		◆	Set of L PTFE 'O' ring seals	1		313662.00		•
	113		Seal		(2)			
	205		Seal Ring		(1)			
	306		Seal		(1)			
	305		Seal		(1)			
400		◆	Front Cover Plate PN16 DN50	1		313576.00		
400		◆	Front Cover Plate PN20 DN50	1		313577.00		
400		◆	Front Cover Plate SMS 51	1		313575.00		
400		◆	Front Cover Plate DIN 50	1		313480.00		
400		◆	Front Cover Plate CHERRY BURREL 51	1		313579.00		
400		◆	Front Cover Plate CLAMP ISO 51	1		313581.00		
400		◆	Front Cover Plate IDF 51	1		313582.00		
400		◆	Front Cover Plate Smooth pipes	1		313580.00		
400		◆	Front Cover Plate ASEPTIK DIN 11864-BF-A DN50	1		313583.00		
400		◆	Front Cover Plate CS F DN50 VR	1		313902.00		
400		◆	Front Cover Plate BS4825-5 DN50	1		313988.00		
596		◆	Complete transmission	1		311744.03		
596		◆	Complete transmission Strong spring	1		313960.00		
596		◆	Complete transmission - Hastelloy	1		312021.03		
596		◆	Complete transmission Strong spring - Hastelloy	1		313962.00		
596		◆	Complete Jacketed transmission	1		312306.03		
596		◆	Complete Jacketed transmission Strong spring	1		313961.00		
596		◆	Complete Jacketed transmission - Hastelloy	1		313785.00		
596		◆	Complete Jacketed transmission Strong spring - Hastelloy	1		313963.00		
	9	◆	Bearing gaskets / screws	1		312356.02		
	507		Ring		(1)			
	602		Gasket		(1)			
	608		Lip seal		(2)			
	609		Bearing screws		(3)			
	8	◆	Plugs + gasket	1		311441.00		
	715		Breather		(1)			
	773		Drain plug		(1)			
	774		Copper-plated gasket		(1)			

CVT - FEP encapsulated FKM ; FDA : Food and Drug Administration (21 CFR 177 2600)

(◆) Sets of parts or (▲) parts available to order

Keep this parts lists with Installation, Operation and Maintenance Instructions

To order the required spare parts, indicate the appropriate CUM numbers



ZI la Plaine des Isles - 2 Rue des Caillottes 89000 AUXERRE - France 1809 Century Avenue, Grand Rapids, Michigan 49503-1530, U.S.A.

Tél. : +33 3.86.49.86.40 or +33 3 86.49.87.09 - Fax : +33 3.86.49.87.17 Telephone: (616) 241-1611 / Fax: (616) 241-375;

E-Mail : contact@blackmer-mouvex.com Internet : www.blackmer.com E-Mail: blackmer@blackmer.com / Internet: www.blackmer.com